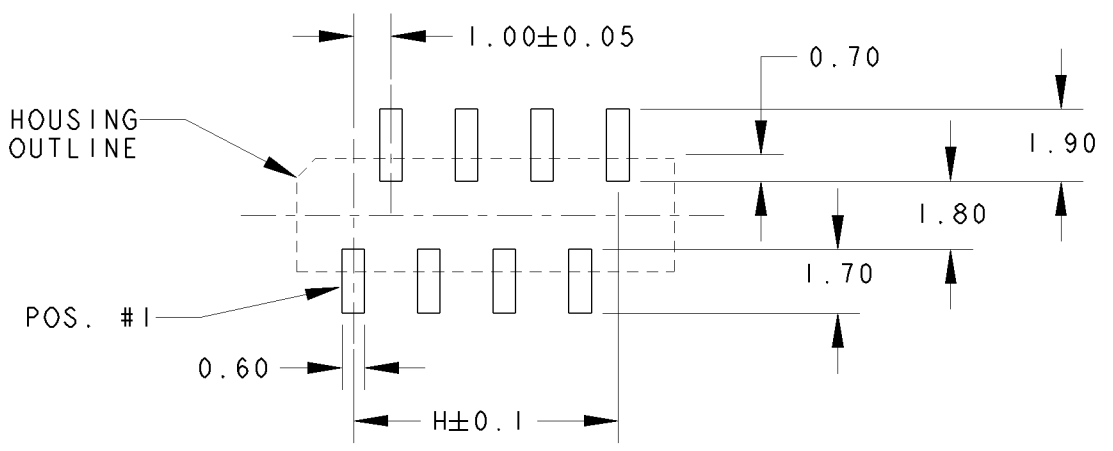
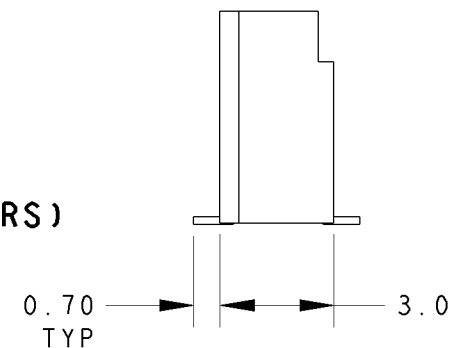
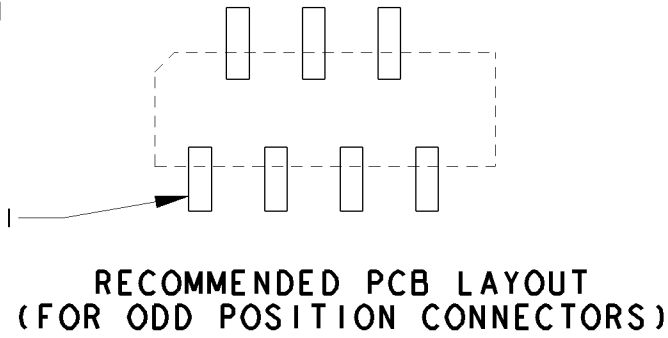
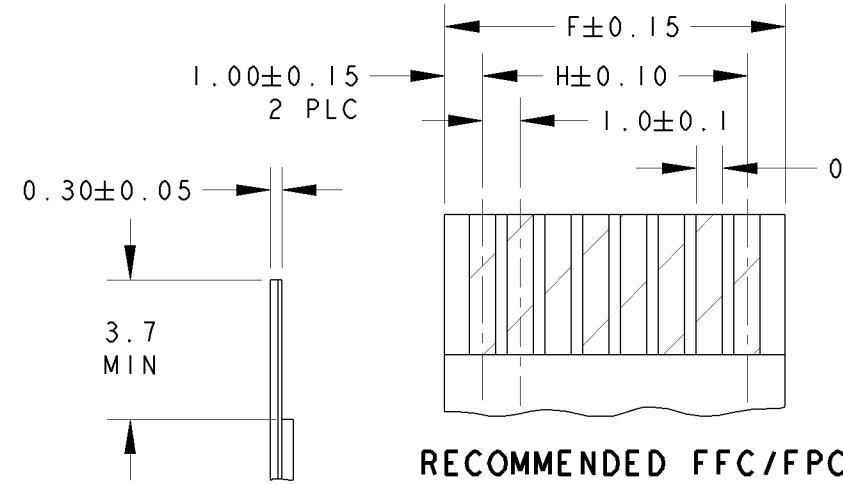
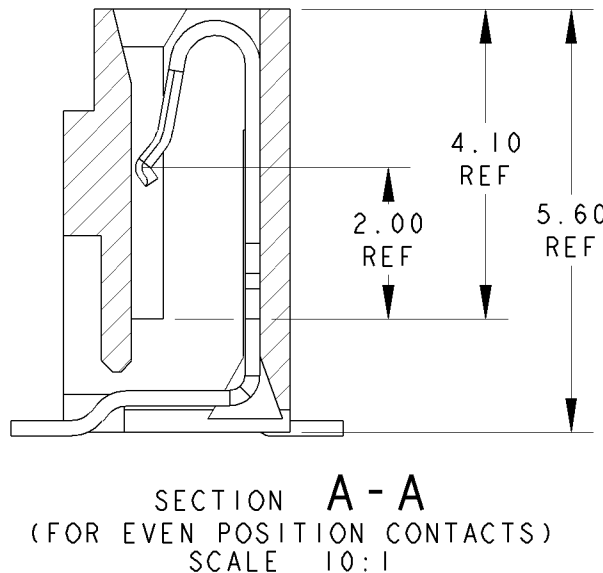
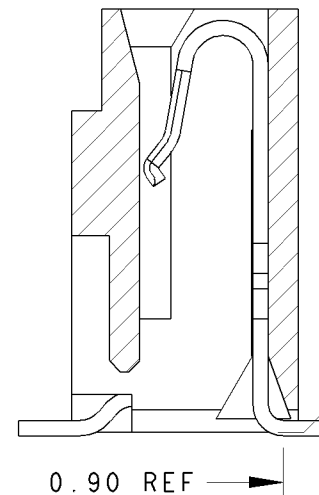
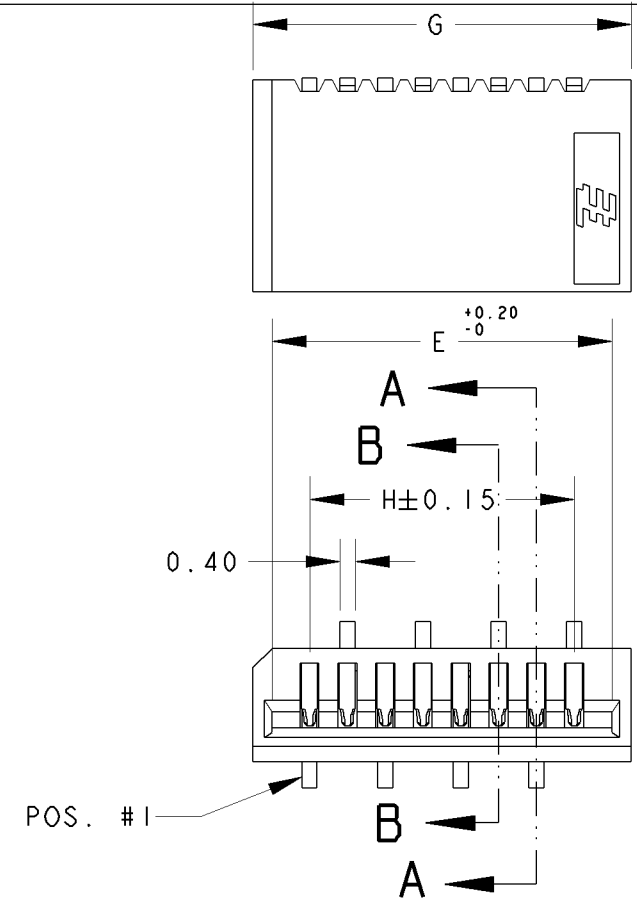


THIS DRAWING IS UNPUBLISHED. RELEASED FOR PUBLICATION .19
 BY - ALL RIGHTS RESERVED.


| LOC | | DIST | | REVISIONS | | | |
|-----|-----|---------------------------|---------|-----------|------|--|--|
| P | LTR | DESCRIPTION | DATE | DWN | APVD | | |
| DY | - | | | | | | |
| | J2 | REVISED PER ECO-11-005139 | 19MAR11 | RK | HMR | | |

NOTES:

- 1 MATERIAL:
HOUSING: GLASS FILLED HIGH TEMP NYLON, NATURAL COLOR (BEIGE)
CONTACT: PHOSPHOR BRONZE
- 2 FINISH: MATTE TIN OVER NICKEL UNDERPLATE
- 3. PACKAGING: TAPE & REEL (PACKAGING SPEC: 107-51189)



| | | | | | |
|-------|-------|-------|-------|------|-----------|
| 29.00 | 32.00 | 31.00 | 31.00 | 30 | 3-84982-0 |
| 28.00 | 31.00 | 30.00 | 30.00 | 29 | 2- -9 |
| 27.00 | 30.00 | 29.00 | 29.00 | 28 | 2- -8 |
| 26.00 | 29.00 | 28.00 | 28.00 | 27 | 2- -7 |
| 25.00 | 28.00 | 27.00 | 27.00 | 26 | 2- -6 |
| 24.00 | 27.00 | 26.00 | 26.00 | 25 | 2- -5 |
| 23.00 | 26.00 | 25.00 | 25.00 | 24 | 2- -4 |
| 22.00 | 25.00 | 24.00 | 24.00 | 23 | 2- -3 |
| 21.00 | 24.00 | 23.00 | 23.00 | 22 | 2- -2 |
| 20.00 | 23.00 | 22.00 | 22.00 | 21 | 2- -1 |
| 19.00 | 22.00 | 21.00 | 21.00 | 20 | 2-84982-0 |
| 18.00 | 21.00 | 20.00 | 20.00 | 19 | 1- -9 |
| 17.00 | 20.00 | 19.00 | 19.00 | 18 | 1- -8 |
| 16.00 | 19.00 | 18.00 | 18.00 | 17 | 1- -7 |
| 15.00 | 18.00 | 17.00 | 17.00 | 16 | 1- -6 |
| 14.00 | 17.00 | 16.00 | 16.00 | 15 | 1- -5 |
| 13.00 | 16.00 | 15.00 | 15.00 | 14 | 1- -4 |
| 12.00 | 15.00 | 14.00 | 14.00 | 13 | 1- -3 |
| 11.00 | 14.00 | 13.00 | 13.00 | 12 | 1- -2 |
| 10.00 | 13.00 | 12.00 | 12.00 | 11 | 1- -1 |
| 9.00 | 12.00 | 11.00 | 11.00 | 10 | 1-84982-0 |
| 8.00 | 11.00 | 10.00 | 10.00 | 9 | -9 |
| 7.00 | 10.00 | 9.00 | 9.00 | 8 | -8 |
| 6.00 | 9.00 | 8.00 | 8.00 | 7 | -7 |
| 5.00 | 8.00 | 7.00 | 7.00 | 6 | -6 |
| 4.00 | 7.00 | 6.00 | 6.00 | 5 | -5 |
| 3.00 | 6.00 | 5.00 | 5.00 | 4 | 84982-4 |
| H | G | F | E | POS. | PART NO. |

| | | | | |
|--|------------|--|-----------------------|------------|
| DWN WYLEE 19MAY2006 | |  TE Connectivity | NAME | |
| CHK KTG OH 19MAY2006 | | | ASSY, 1.00mm FFC CONN | |
| APVD SFLEONG 19MAY2006 | | | SMT, V, (NON-ZIF) | |
| PRODUCT SPEC 108-51054 | | | | |
| APPLICATION SPEC - | | SIZE | CAGE CODE | DRAWING NO |
| MATERIAL | | A3 | 00779 | C-84982 |
| DIMENSIONS: mm | | CUSTOMER DRAWING | | |
| TOLERANCES UNLESS OTHERWISE SPECIFIED: | | SCALE | SHEET | REV |
| 0 PLC ±0.3 | 1 PLC ±0.3 | 5:1 | 1 | J2 |
| 2 PLC ±0.3 | 3 PLC ± | | | |
| 4 PLC ± | ANGLES ±3° | | | |
| FINISH | | | | |
| 1 | | | | |
| 2 | | | | |